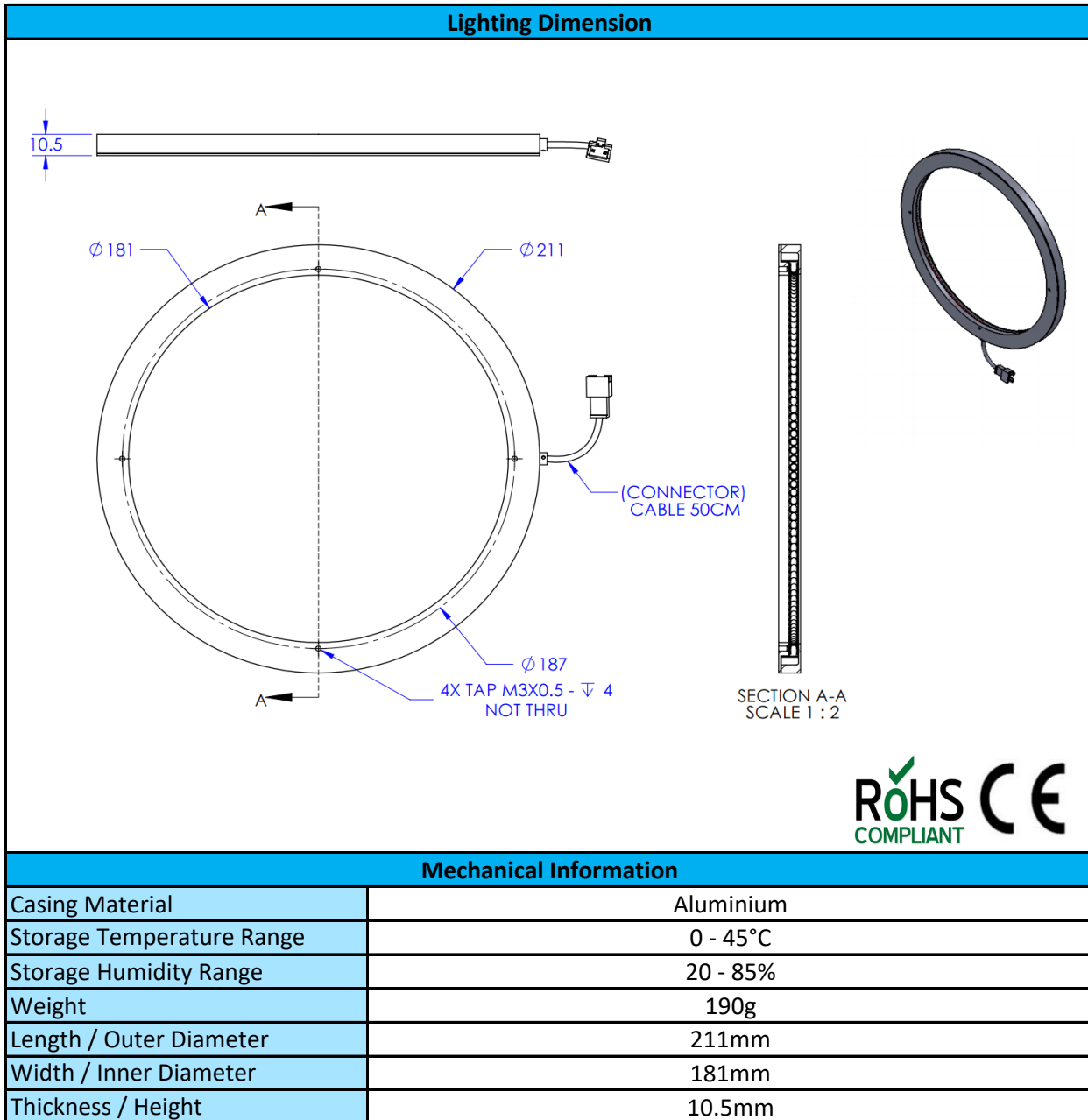




OPTO ENGINEERING

# ILLUMINATOR DATA

## LTZZ0210-90-1-B-24V





OPTO ENGINEERING

# ILLUMINATOR DATA

## LTZZ0210-90-1-B-24V

Lighting Information			
Part Number	LTZZ0210-90-1-B-24V		
LED Color	BLUE		
Wavelength	470nm		
Working Distance	20mm	25mm	30mm
Intensity ( $\pm 15\%$ )	8320lx	8780lx	8270lx
Illumination (number of row)	1		
Illumination Active Area	Active Length / Outer Dia.	182mm	
	Active Width / Inner Dia.	181mm	
Emission angle	0		
Eye Safety Class ( IEC62471 )	II		
Chromaticity Table For White colour only	Nil		

Electrical Information	
Rated Constant Voltage	24V $\pm 2\%$
Rated Constant Current	300mA
Power Consumption	7.20mA
Casing temperature, After 60 minutes operation	TBA

Strobe Mode Specification		
*Normal Strobe Voltage	24 V	
*Normal Strobe Current	300mA	
Overdrive Voltage Range	Min: 36V	Max: 48V
Overdrive Current Range	Min: 1.06A	Max: 1.95A
Recommended Overdrive Voltage	36V	
**Max. Trigger Pulse Duration	10 msec	
**Max. Duty Cycle	10%	

\*Normal strobe means the lighting is operated using the rated power. Overdrive means the power supplied to the lighting exceeded the rated power.


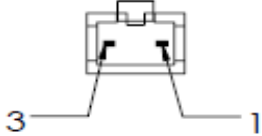
\*\*Overdrive condition must not exceed the max. trigger pulse duration and max. duty cycle.



OPTO ENGINEERING

# ILLUMINATOR DATA

## LTZZ0210-90-1-B-24V

Connection Information			
Connector Type (Default)	JST SMR-03V		
Cable Length	50 cm		
Pin Configuration  	Pin	Signal	Cable Colour
	1	LED +	Red
	2	N.C	-
	3	LED -	White
			

Additional Information	
Additional Cooling Method	Attached to machine part for better heat dissipation
Intensity Controller Selection	SD, ST, ANG, LC, SDA, SDP series
CE Conformity	YES
RoHS Compliance	YES

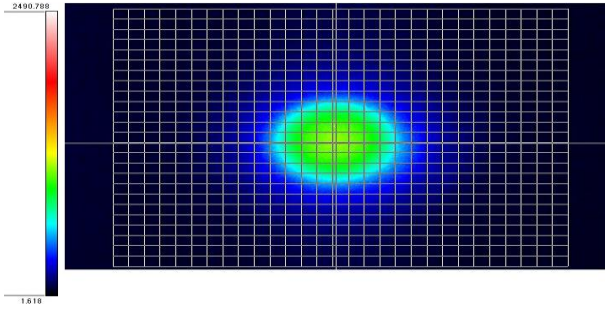
Application	
Illumination Type	DIRECT ILLUMINATION
Application Use	Edge Detection, Scratched On Metal or Glossy Surface



OPTO ENGINEERING

# ILLUMINATOR DATA

## LTZZ0210-90-1-B-24V

Lighting Pattern				
Working Distance	For further details please contact us.			
Display and Image				
Data Results	Horizontal	Meas.(mm)	Vertical	Meas.(mm)
	90%	25	90%	19
	80%	47	80%	46
	70%	61	70%	61
	60%	70	60%	70
	50%	76	50%	78
	40%	86	40%	87
	30%	101	30%	97
	20%	119	20%	117
	10%	154	10%	166
Max	Meas.(cd/m2)			
	1141.836			